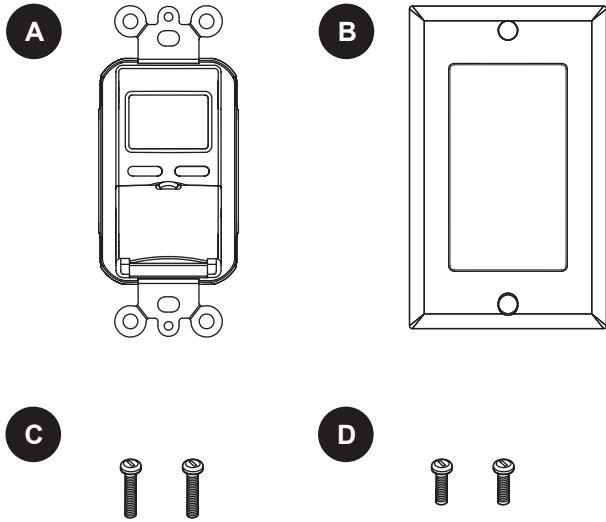


MODEL #TM-097

# IN-WALL TIMER

## PACKAGE CONTENTS



PART	DESCRIPTION	QUANTITY
A	Timer	1
B	Wall plate	1
C	Mounting screws (Wall box)	0.748 in. - 2
D	Mounting screws (Wall plate)	0.33 in. - 2

\* Tools Required for Assembly (not included):  
screwdriver.

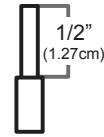
## INSTALLATION INSTRUCTIONS

**⚠ Warning:** To avoid fire and/or shock, turn off power. Make sure the power is off before wiring. If you are unsure or uncomfortable with installation, contact a licensed electrician.

Before initial use, if LCD screen is blank, connect to power for at least **30 minutes** to charge the internal battery. After the screen turns on, the unit is ready for programming.

1. This device is to be installed in a wall box measuring at least 3 in. x 2 in. x 2-1/2 in. (standard single gang electrical wall box) and wired in accordance with National Electrical Code.

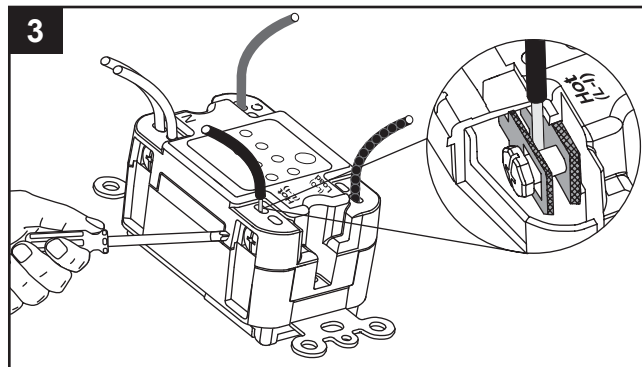
Strip Length:



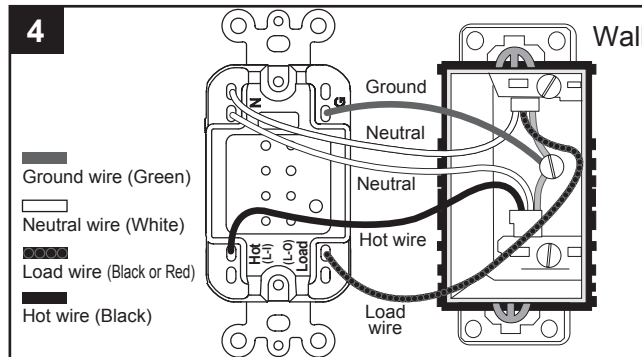
2. Straighten each conductor and strip 1/2 in. of insulation from each wire.

3. Begin by loosening all the screws on your In-Wall Timer. You'll notice there is now a loose plate in the hole. The wires will need to be inserted in the middle and tightened with a screwdriver. (see figure 3).

The screw terminal accepts **14AWG-12AWG copper wire** (12AWG maximum).



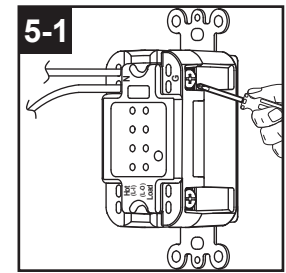
4. Installing In-Wall Timer:



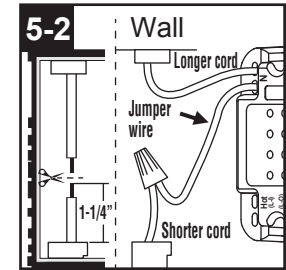
- Insert the ground or bare wire(s) into the hole(s) labeled "G" (near green screw).
- Insert 2 neutral wires into the holes labeled "N" (near silver screw).
- Insert the hot wire into the hole labeled "L-I" (near brass screw).
- Insert the load wire into the hole labeled "L-O" (near brass screw).

5. The In-Wall Timer requires a neutral wire connection or the switch will not work.

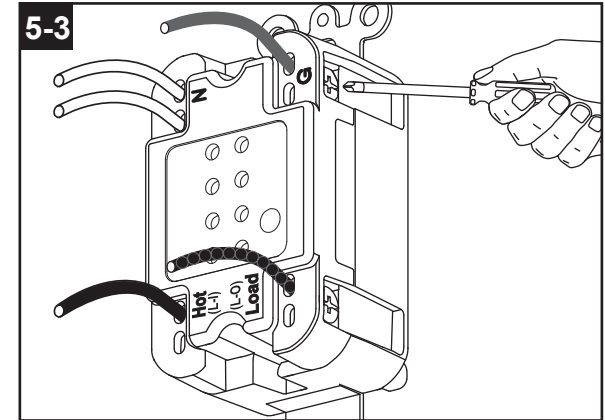
1. If the existing neutral (white) wires are connected by wire nut in the wall box, release the nut, insert both neutral wires into the holes labeled N (near silver screw). (see figure 5-1)



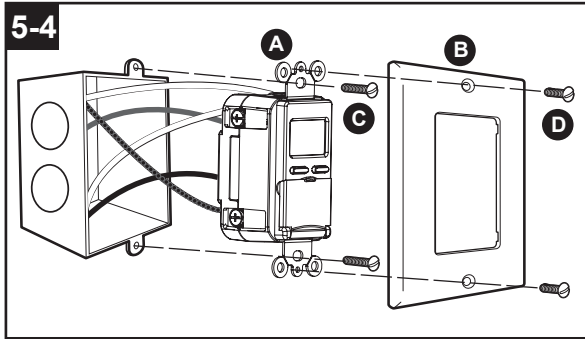
2. If the neutral wires from the wall box are short and do not reach the N hole, cut the wire at 1-1/4 in. (include the period) from the bottom of case, remove jacket at 1/2 in. (include the period) of both ends. Insert longer cord to N hole. Connect the shorter cord with enclosed jumper (white) wire and wire nut, then insert to another N hole (near silver screw) (see figure 5-2).



3. Tighten all screws firmly. (12lbf-in). (see figure 5-3).



4. Carefully fold wire into wall box and mount timer (A) into wall box using mounting screws (C), then attach the wall plate using the mounting screws (D). (see figure 5-4).



6. Restore power by flipping the breaker to the “on” position or re-installing the fuse to the circuit.

## OPERATING INSTRUCTIONS

### 1. Setting the Clock

1. Open the door.
2. Press TIME button.
3. Display will flash for a 15 seconds. If no other action taken, clock may engage with the incorrect time.
4. Press the "▲" or "▼" button until the display shows the current YEAR then press SET/RE button.
5. Press the "▲" or "▼" button until the display shows the current MONTH then press SET/RE button.
6. Press the "▲" or "▼" button until the display shows the current DAY then press SET/RE button.
7. Press the "▲" or "▼" button until the display shows the current HOUR then press SET/RE button.
8. Press the "▲" or "▼" button until the display shows the current MINUTE then press SET/RE button to complete time setting.

### 2. Operating the Time Switch

Press the MODE button repeatedly to set the timer to Automatic, Random or Manual (ON or OFF) mode.

NOTE: For the time switch to run programmed events, it must be set to “AUTO” mode.

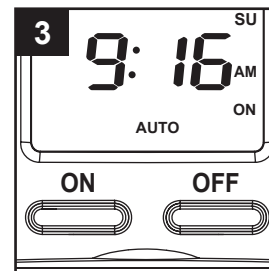
- AUTO — runs all events automatically, according to the schedule you have set. The word “AUTO” appears in the display.

- RDM (Random) - Timer will randomly turn devices ON/OFF within 15 minutes 5 times per day. This is a security feature in which ON and OFF times randomly, creating a more “lived-in” look.
- MANUAL (ON or OFF) — turns always ON or OFF only when user presses the ON or OFF button. The display is blank, showing neither RDM nor AUTO.

### 3. Overriding Timer Settings

The ON or OFF buttons override the current programmed events. To override the current program (either ON or OFF), press the ON or OFF button.

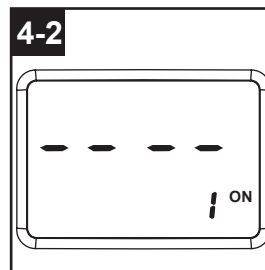
NOTE: If the timer is not in “Manual (ON or OFF)” mode, it will obey the next programmed event. This allows the user to manually turn a light on and allow the program to shut the light back off at a preset time.



### 4. Setting Programs

Timer has up to 7 customizable ON/OFF Event Settings to turn devices on and off at different times and on different days as programmed.

1. Press MODE repeatedly until the display shows AUTO.
2. Press the PROGRAM button once. The display will look as shown at the right. The "!" ON " in the lower right hand corner indicates that you are now programming EVENT 1 which you want your device turned ON.



3. Press the SET/RE button to set up the time.
4. Press the "▲" or "▼" button repeatedly until the display shows the DAY(s) when you want then press SET/RE button. The options are:

- All days of the week (MO TU WE TH FR SA SU)
- Individual days of the week (MO, etc.)
- Weekdays only (MO TU WE TH FR)
- Weekends only (SA SU)

5. Press the "▲" or "▼" button repeatedly until the display shows the HOUR when you want then press SET/RE button.
6. Press the "▲" or "▼" button repeatedly until the display shows the MINUTE when you want then press SET/RE button.
7. Repeat Steps 3, 4, 5, 6 to set the OFF time for Event 1

Two kinds of settings can cause the timer to work in an unexpected way:

- Set up events in progressive order of time (for example, 8:00 pm ON, 9:00 pm ON, 10:00 pm ON — NOT 8:00 pm ON, 10:00 pm ON, 9:00 pm ON).
- Do not overlap event times (for example, 8:00 pm ON /12:00 pm OFF, and 9:00 pm ON / 11:00 pm OFF).

### 5. Reviewing Events Programmed

1. In the current time display, press the PROGRAM button repeatedly to check your settings.
2. When finished, press the TIME button to return the display to the time of day.

### 6. Clearing (Deleting) an Event

1. Press the PROGRAM button as many times as necessary to locate the setting you want to clear.
2. Press and hold the SET/RE for 3 seconds button.
3. When finished, press the TIME button to return the display to the time of day.

## HELPFUL TIPS

- In case of an operational failure of the timer, use a paper clip and insert into the RESET hole to clear all the settings and restart.
- To see a video offering guidance on the installation of this item, visit [Lowe.com](http://Lowe.com), search for the item number and visit the item's page

## SAFETY INFORMATION

Please read and understand this entire manual before attempting to assemble, operate or install the product.

THIS TIMER IS FOR USE WITH A 125 V AC POWER SOURCE. **125 V AC / 60 Hz**

DO NOT ATTACH A DEVICE THAT EXCEEDS THE UNIT RATINGS:

**15 A / 1,875 Resistive** (General Purpose)

**8 A / 1,000 W Tungsten** (Incandescent)

**8.3 A / 996 W Standard Ballast** (Fluorescent)

**500 VA Ballast** (Electronic)

**1/2 HP** (Horsepower Motor)

This equipment has been tested and found to comply with the limits for Class B digital device, pursuant to part 15 of the FCC Rules. These limits are designed to provide reasonable protection against harmful interference in a residential installation. This equipment generates, uses and can radiate radio frequency energy and, if not installed and used in accordance with the instructions, may cause harmful interference to radio or television reception, which can be determined by turning the equipment off and on, the user is encouraged to try to correct the interference by one or more of the following measures:

- Reorient or relocate the receiving antenna.
- Increase the separation between the equipment and the receiver.
- Connect the equipment into an outlet on a circuit different from that to which the receiver is connected.
- Consult the dealer or an experienced radio/TV technician for help.

This device complies with Part 15 of the FCC Rules. Operation is subject to the following two conditions: (1) This device may not cause harmful interference, and (2) this device must accept any interference received, including interference that may cause undesired operation of the device.

FCC Caution: Any changes or modifications not expressly approved by the party responsible for compliance could void the user's authority to operate this equipment.

## CAUTION

- Do not attach a device that exceeds the unit ratings as described in the Safety Information section of this manual.
- Wattage of lamps or appliances controlled must NOT exceed rated capacity.
- FOR INDOOR USE ONLY.
- Installation by a licensed electrician to local, state and national codes is recommended.
- Remove wall plate and make sure both hot and neutral wires are present in the junction box. If both wires are not present, additional wiring will be necessary before installation can be completed.
- Check that all wire connections are secure.
- Place all wires inside junction box. Fit timer into junction box.
- Reconnect electrical power.

## WARRANTY

- This product is guaranteed to be free of defects for a limited period of one year from the date of purchase.
- If the product suddenly malfunctions and is not damaged by external factors or personal reasons within the one year warranty limit from the day of purchase, the product maybe considered for repair. If the product is damaged due to natural disaster like fire, lightning, flood, hurricane, etc., the product will not be considered for repair.

## TROUBLESHOOTING

PROBLEM	POSSIBLE CAUSE	CORRECTIVE ACTION
Timer turns ON/OFF at incorrect times or skips some of the programmed times.	1. Programmed event(s) are incorrect. 2. Timer is in RANDOM mode, which varies switching times up to 15 minutes (to give your home a "lived-in" look).	1. Press PROGRAM button to review the settings and revise them as necessary. See OPERATING INSTRUCTIONS. 2. If you don't want to keep the timer in RANDOM mode, press MODE to change to AUTO mode.
The attached device turns off immediately after being turned on.	The timer is wired incorrectly.	Disconnect wires, remove timer, re-install per the instruction manual. If problem persists, contact certified electrician.
LCD screen is blank.	The included rechargeable battery has lost its charge.	Battery will automatically recharge after installation.
LCD screen is on but attached device is off.	The light or attached device itself may be switched OFF.	Make sure the light or attached device is switched ON.