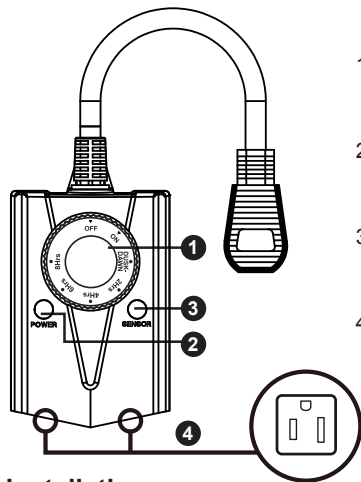


# OUTDOOR MECHANICAL TIMER

**WARNING:** The device must be mounted in a vertical position with the receptacle facing downward and with the receptacle at least 2 FT above the ground level.

## Button Layout



1. Timer dial:  
2 to 8 hours or dusk to dawn and daily repeat function.
2. Power:  
Power indicator light indicates if the timer is turned on or off.
3. Sensor:  
Sensor will turn timer on at dusk and off at dawn.
4. Outlet:  
Plug the lights or devices to be controlled by the timer into outlet.

## Installation

This outdoor mechanical timer has multiple settings from 2 to 8 hours or dusk to dawn and daily repeat function. Full 15 Amp rating will handle lighting and light-duty loads.

## CAUTION

Suitable for use with outdoor appliances. For use **ONLY** with a three conductor GFCI protected outlet. Do not immerse in water. **DO NOT EXCEED RATED CAPACITY.**

## ⚠ WARNING

This product contains chemicals, known to the State of California to cause cancer and birth defects and other reproductive harm. **Wash hands after handling.**

SELECT**	DESCRIPTION
OFF	No power
ON	Constant power
DUSK-DAWN	On at dusk, off at dawn automatically
2 Hrs	On at dusk, stays on 2 hours*
4 Hrs	On at dusk, stays on 4 hours*
6 Hrs	On at dusk, stays on 6 hours*
8 Hrs	On at dusk, stays on 8 hours*

\*Cycle repeats every 24 hours

## Safety Information

### Federal Communication Commission Interference Statement

This equipment has been tested and found to comply with the limits for Class B digital device, harmful interference in a residential installation. This equipment generates, uses and can radiate radio frequency energy and, if not installed and used in accordance with the instructions, may cause harmful interference to radio or television reception, which can be determined by turning the equipment off and on, the user is encouraged to try to correct the interference by one or more of the following measures:

- Reorient or relocate the receiving antenna.
- Increase the separation between the equipment and receiver.
- Connect the equipment into an outlet on a circuit different from that to which the receiver is connected.
- Consult the dealer or an experienced radio/TV technician for help.

This device complies with Part 15 of the FCC Rules. Operation is subject to the following two conditions: (1) This device may not cause harmful interference, and (2) this device must accept any interference received, including interference that may cause undesired operation of the device.

FCC Caution: Any changes or modifications not expressly approved by the party responsible for compliance could void the user's authority to operate this equipment.